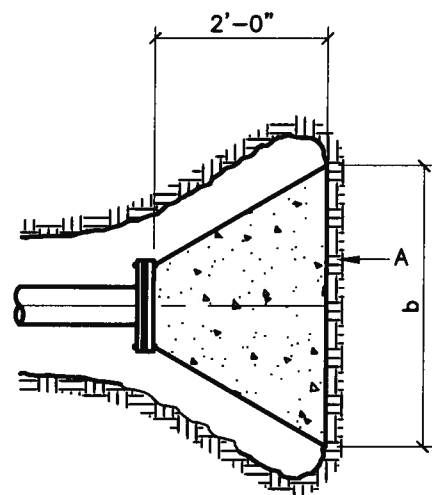
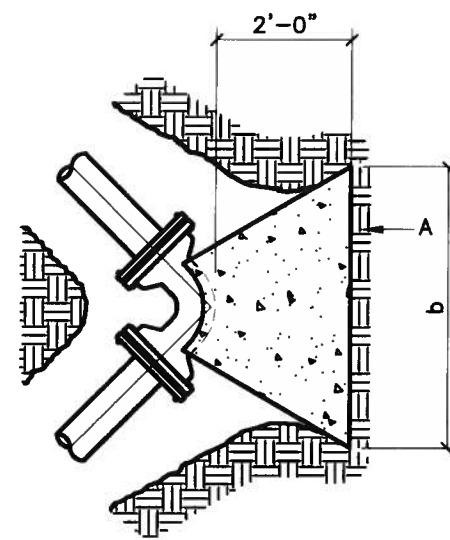


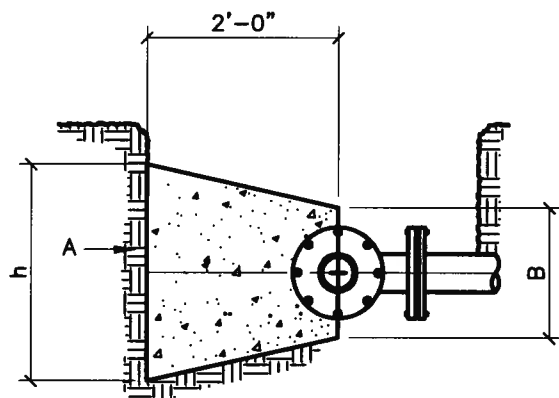
PLAN



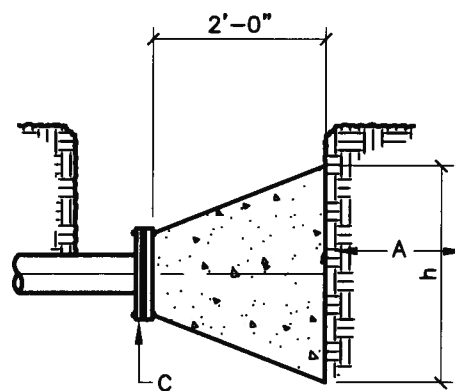
PLAN



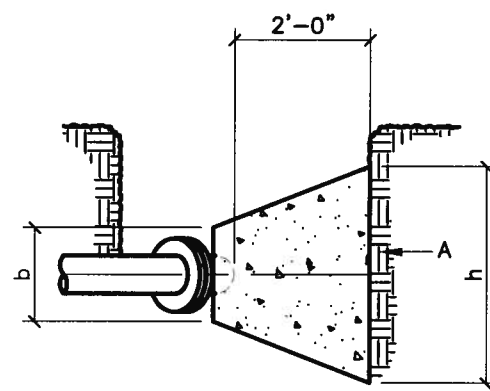
PLAN



ELEVATION
CONCRETE BLOCKING
FOR TEE



ELEVATION
CONCRETE BLOCKING
FOR PLUG OR CAP



ELEVATION
CONCRETE BLOCKING
FOR ELBOW

GENERAL NOTES:

- 1 ALL THRUST CONTROL BY RESTRAINED JOINTS ONLY UNLESS DIRECTED BY ENGINEER, AND FOR "SPECIAL" SITUATIONS SPECIFIED BY THE WATER AUTHORITY.
- 2 PIPE SIZE GREATER THAN 14" REQUIRES DESIGN BY ENGINEER TO BE SUBMITTED TO THE WATER AUTHORITY FOR APPROVAL.
- 3 CONCRETE BLOCKING PER SEC. 101 EXTERIOR CONCRETE, $f'_c=3000$ psi @ 28 DAYS.

PIPE SIZE	ELBOW ANGLE	ELBOW (b) DIM.	ELBOW (h) DIM.	TEE OR PLUG (b) DIM.	TEE OR PLUG (h) DIM.
4"				2'	1'
4"	90° 45°	2'	2'		
4"	$22 \frac{1}{2}^\circ$ $11 \frac{1}{4}^\circ$	2'	2'		
6"				2'	2'
6"	90° 45°	2'	2'		
6"	$22 \frac{1}{2}^\circ$ $11 \frac{1}{4}^\circ$	2'	2'		
8"				3'	3'
8"	90°	3'	3'		
8"	45°	2'	2'		
8"	$22 \frac{1}{2}^\circ$ $11 \frac{1}{4}^\circ$	2'	2'		
10"				3'	3'
10"	90°	3'-6"	3'-6"		
10"	45°	3'	3'		
10"	$22 \frac{1}{2}^\circ$ $11 \frac{1}{4}^\circ$	2'	2'		
12"				3'-6"	3'-6"
12"	90°	4'	4'		
12"	45°	3'-6"	3'-6"		
12"	$22 \frac{1}{2}^\circ$ $11 \frac{1}{4}^\circ$	2'	2'		
14"				4'	4'
14"	90°	5'	5'		
14"	45°	3'-6"	3'-6"		
14"	$22 \frac{1}{2}^\circ$ $11 \frac{1}{4}^\circ$	3'	3'		

CONSTRUCTION NOTES:

- A UNDISTURBED EARTH.
- B O.D. OF PIPE + 8".
- C O.D. OF CAP OR PLUG, MIN. 12"x12".
- D ONLY FOR EXCEPTIONAL SITUATIONS, USE OF MECHANICAL RESTRAINTS TAKES PRECEDENCE.

REVISIONS	WATER AUTHORITY
	WATER CONCRETE BLOCKING DESIGN
	DWG. 2320 JANUARY 2011